



S. Bi. Automations

Industrial Automation Projects

SMART STOP

PRODUCTION LINE MANAGEMENT

The Smart Stop system is a connection and communication mechanism, joining together machinery of different types and technologies. It is a polymorphic system based on the new technology of programmable logic controllers, as well as on long-time application and know-how of manufacturing process support techniques.

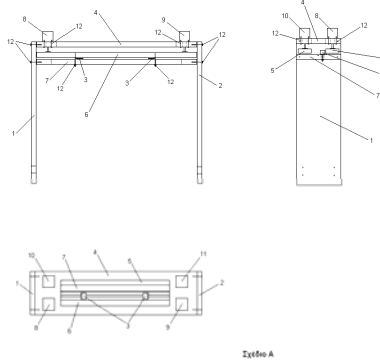
ENERGY SAVING

The Smart Stop system handles machines which control energy saving and life span extension techniques. These techniques are the "sleep function" and the "smooth start".

PROTECTION OF MACHINES

Protect and extend the life span of your investments. Our long-time experience and profound know-how is the guarantee for optimum use and operation of your machine.

SLIDE BARS MECHANISM FOR THE STABILITY & EASY REPLACEMENT OF FLEXIBLE PACKAGING FILM



Σχέδιο Α

The Slide Bars interlock mechanism improves stability of flexible packaging film. It is adapted between the roll rotating wheel and the rolls assisting direction of the film. This mechanism stabilizes packaging film during machine operation so as to retain uniformity of the packed product. It also interlocks film when it finishes, enabling the machine operator to easily replace it.

- Minimization of dissimilarities in packed product. Reduction of losses and therefore of production cost.
- Easy replacement of packaging film. Reduction of "dead" manufacturing time.
- Raw material saving (packaging film). Waste reduction.
- Easy to build and adapt on the packaging machine.

Products such as the Slide Bars, the Pulse Vibrator, the Smart Stop system etc, have been patented and certified by the Industrial Property Organization of Greece. Their aim is to facilitate various manufacture processes and help reduce production cost of your products. This way, you achieve maximum output with minimum cost and your investment on automation products will be promptly returned; moreover, you will have protected your machines and material in the long-run.